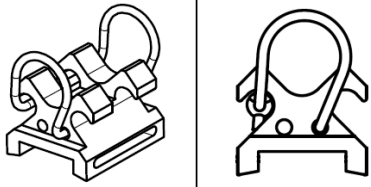
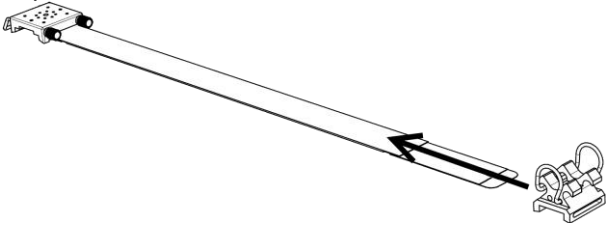


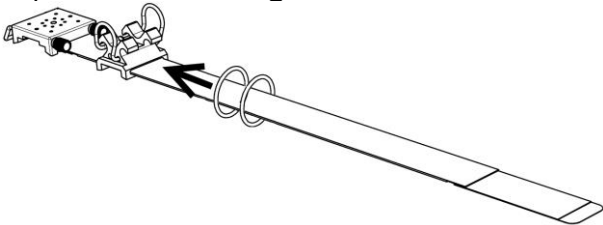
1) Adjust the bungee to the torch



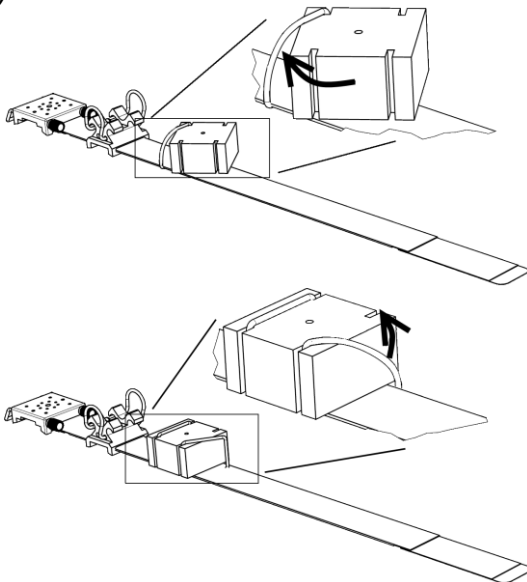
2) Insert torch holder



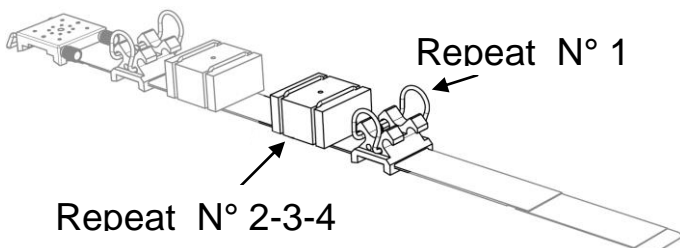
3) Insert the rings



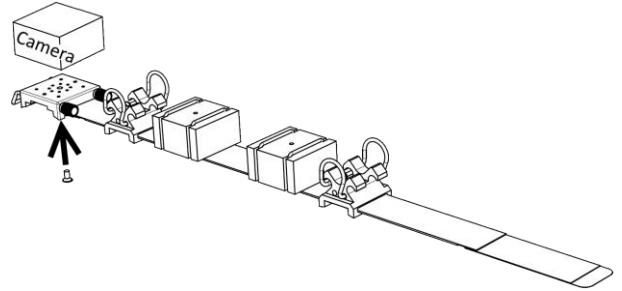
4) Hook the float



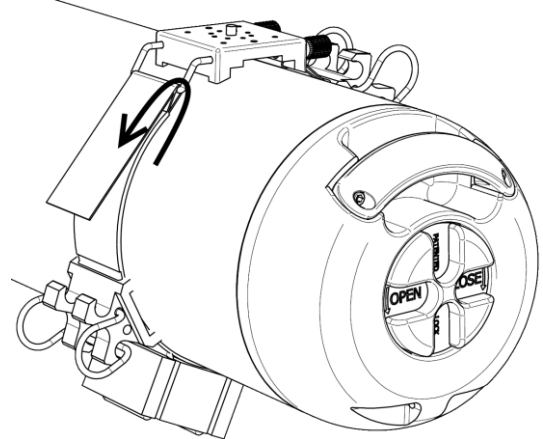
5) Second torch holder and second float



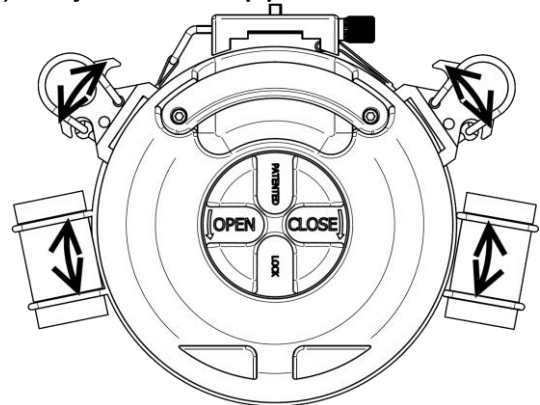
6) Fix the camera



7) Place the support on to the scooter



8) Adjust the supports and floats



10) Tighten the support using the knobs

